

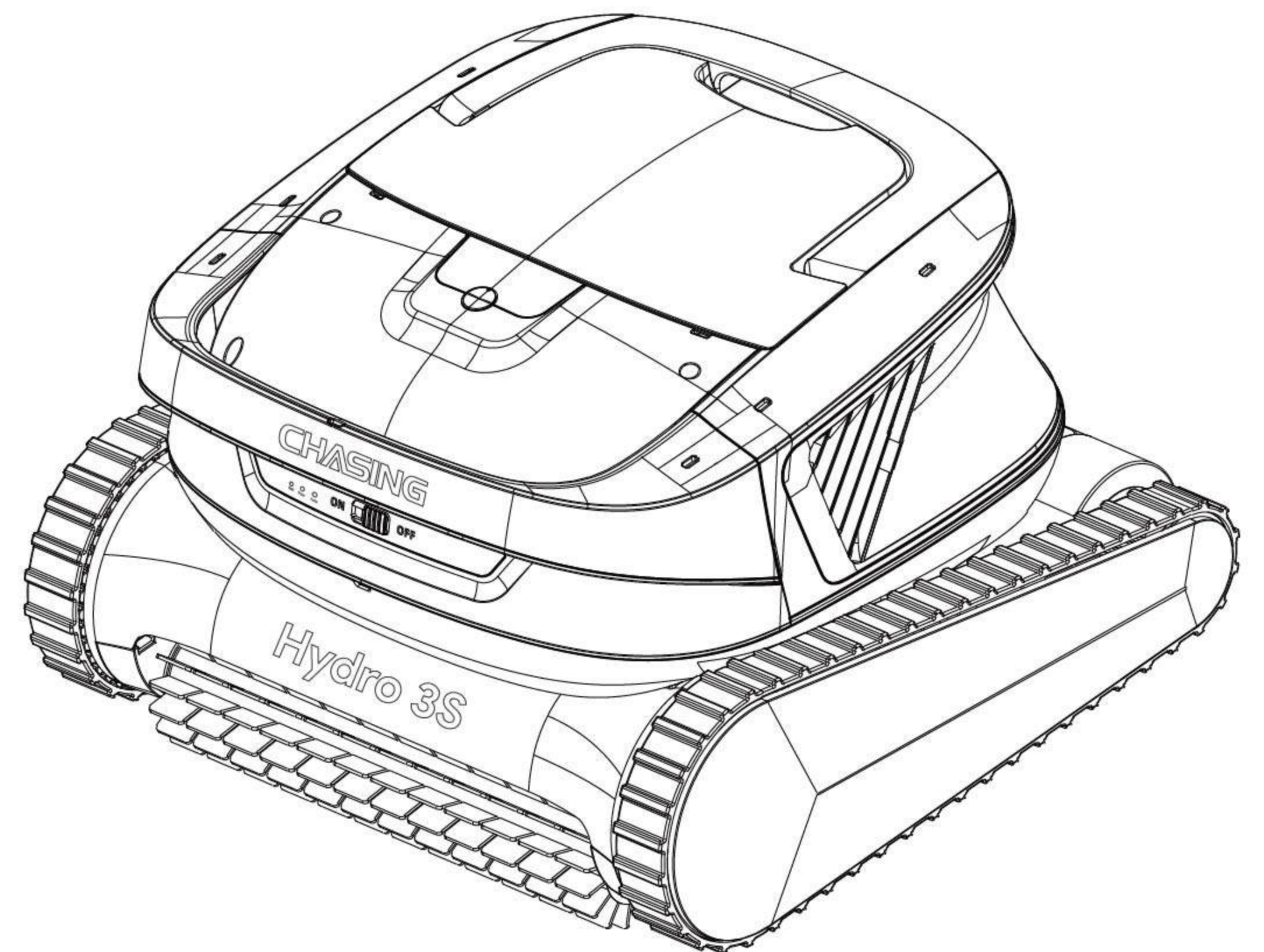
# CHASING Hydro 3S

Robotic Pool Cleaner

EN User Manual

**CHASING**

[www.poolmatebot.com](http://www.poolmatebot.com)



**CHASING**

V1.0

# Table of Contents

EN

Disclaimer	01
Precautions	02
Main Components	03
Cleaner	03
Power adapter	04
Charging and Operation	04
Charging	04
Operation and Application	05
Indicator Definition	06
After Cleaning	06
APP	09
Download of Poolmate Bot APP	09
Bluetooth Connection	09
Home	10
Preset	10
Me	11
Routine Maintenance	11
Troubleshooting	12
Product Parameters	13
After-sales	13

# ! Disclaimer

Please read this Disclaimer carefully before using CHASING Hydro 3S.

By using the product, it shall be deemed as the approval and acceptance of all contents of this disclaimer.

CHASING will not be liable for any personal injury or property damage (including direct or indirect damage) caused by the following reasons when using this product:

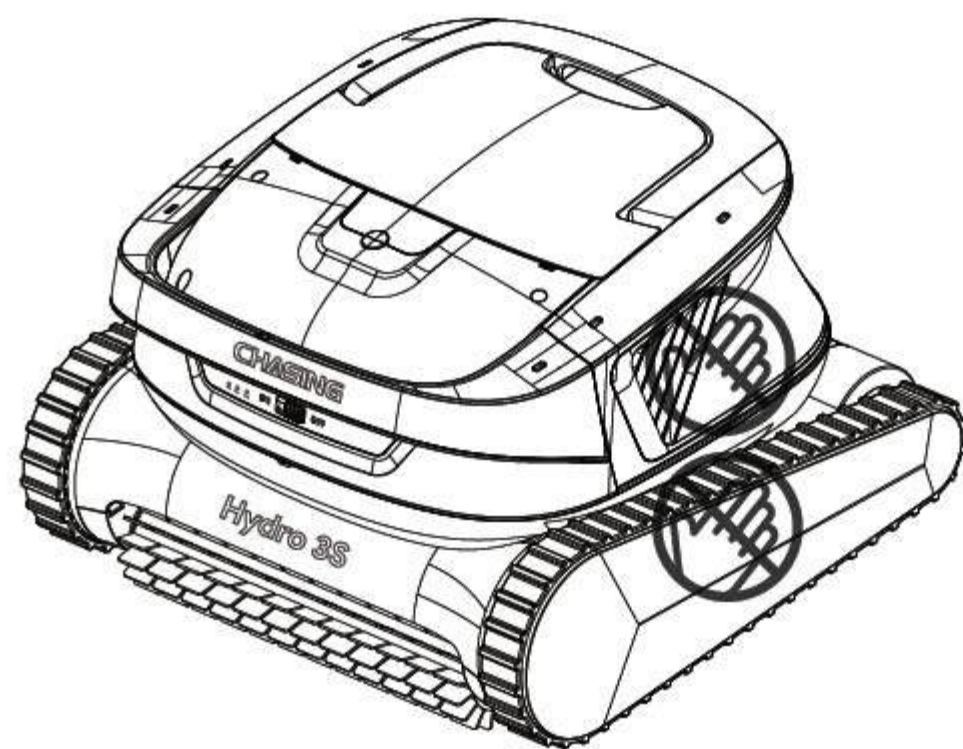
1. Damages due to the operation by the operator in poor physical or mental condition.
2. Personal injury and property loss caused by the subjective intention of the operator.
3. Compensation for any damage arising from accidents.
4. Failure to follow the correct guidance of this Manual to assemble or operate the product.
5. Other damage caused by improper operation of the Cleaner due to self-modification or replacement with accessories or parts not manufactured by Poolmate.
6. Damages caused by using products not manufactured by CHASING.
7. Compensation for damages caused by operation error or subjective judgment error of the operator.
8. Improper operation caused by natural wear, corrosion, wire aging and other problems of the Cleaner.
9. Other losses not covered in the scope of responsibilities of CHASING
10. If the air balloon is not used as instructed to clean the water accumulation in the charging port, causing an accident, CHASING will not be held responsible.

EN

# Precautions

EN

- ⚠ Warning: Please read the User Manual carefully, and operate the product according to the instructions herein. The Company will not be responsible for any losses or injuries caused by improper operation.
- ⚠ Warning: The parts of this product can only be disassembled and repaired by authorized and trained professionals of the dealer, otherwise warranty will be invalid and personal injury may be caused.
- ⚠ Warning: If the Cleaner is used at temperatures higher than the specified operating temperature or exposed to intense sunlight for a long time, the high-temperature protection will be triggered, making them powered off, or in severe cases, causing damage to the product.
- ⚠ Warning: Children are not allowed to use this product without supervision by their parents.
- ⚠ Warning: Do not open, crush, heat or burn the battery case in the Cleaner to avoid the risk of fire and burn.
- ⚠ Warning: Do not use the Cleaner again if its internal structure is damaged.
- ⚠ The Cleaner cannot be used in other working environments but only in the water of the pool. No one is allowed to enter the pool while the Cleaner is working.
- ⚠ Do not touch the rotating part directly with your hands while the Cleaner is working.



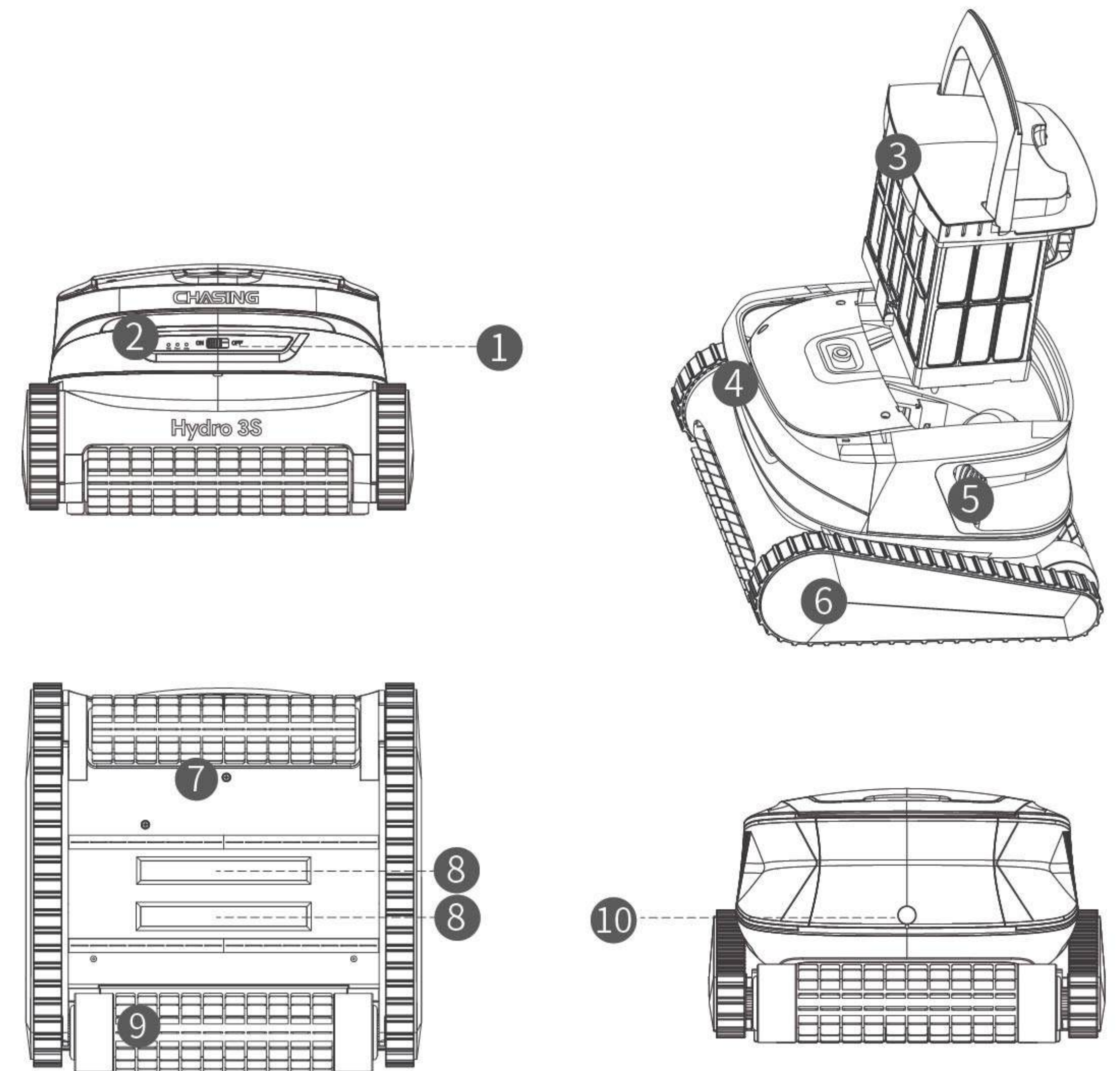
- ⚠ Do not use this product in the pool if liquid flocculant or other clarifying agents are added in the water, because the filter of the Cleaner may be blocked or damaged.
- ⚠ Please use the Cleaner in the following calibrated environment:

Operating depth	0.5-3 m
Working temperature	5-35°C
pH	7-7.8
Salt	Max. 5,000 ppm
Chlorine	Max. 4 ppm

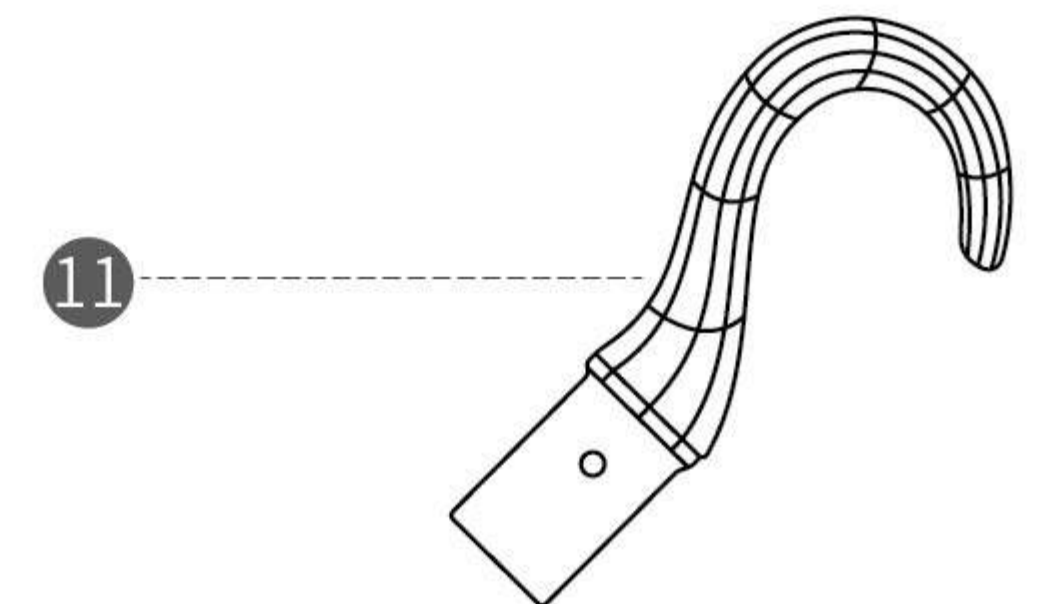
# Main Components

## Cleaner

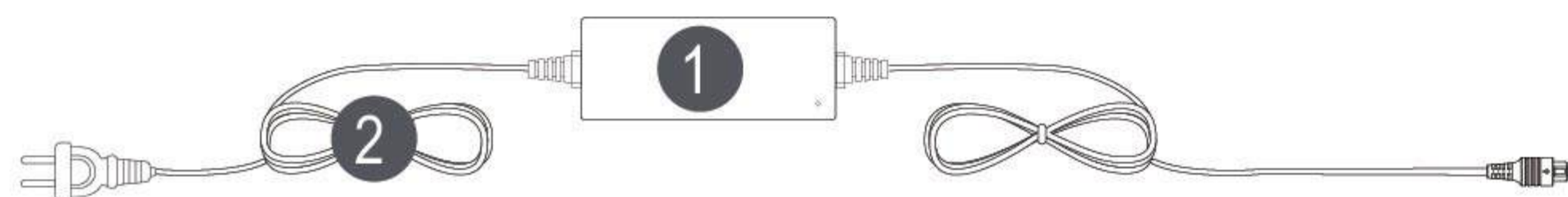
EN



1. Slide switch (ON/OFF)
2. Mode indicator
3. Filter basket
4. Handle
5. Water outlet
6. Drive wheel
7. Active brush
8. Water inlet
9. Driven brush
10. Charging port
11. Salvage hook



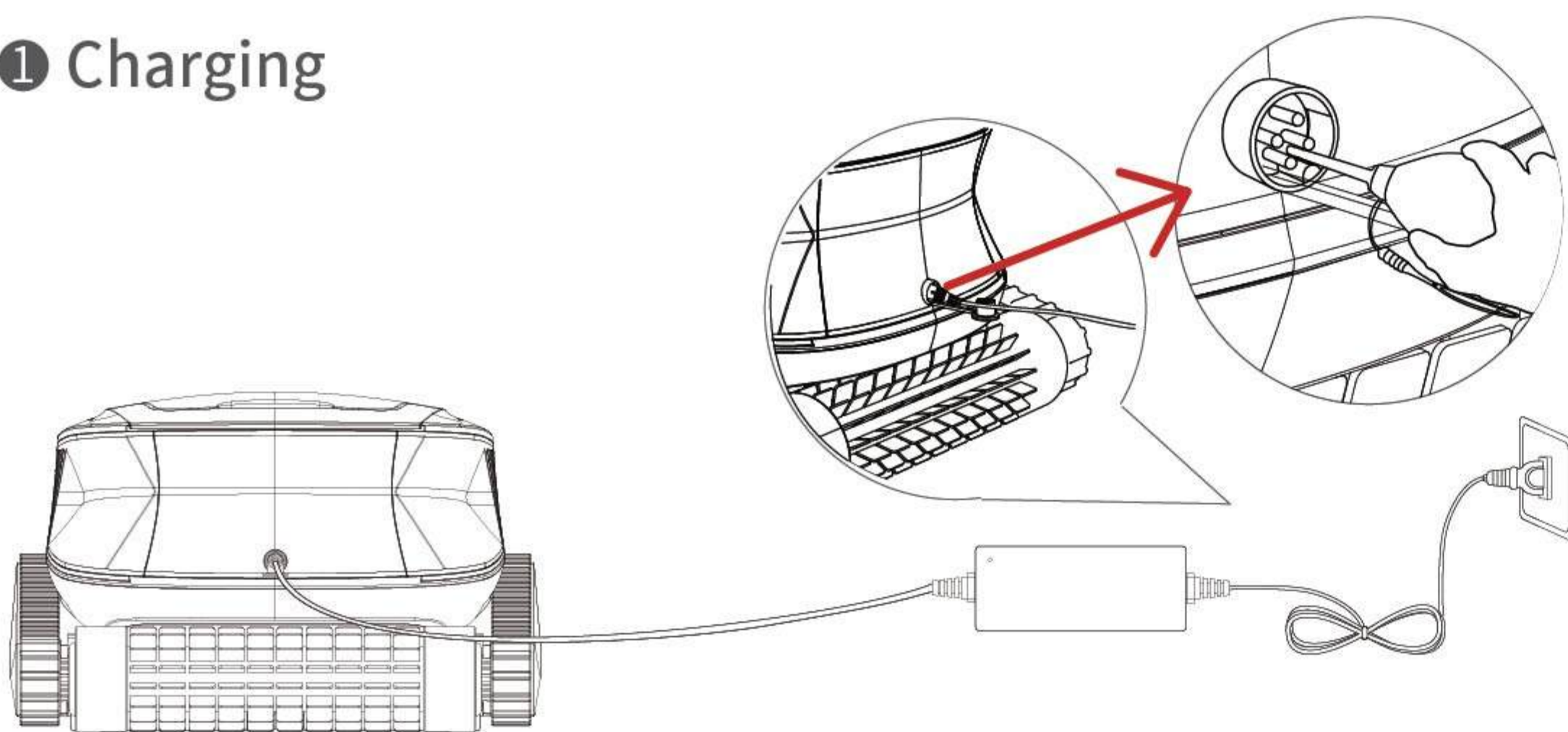
## Power adapter



1. Power adapter
2. AC power cord

## Charging and Operation

### ① Charging

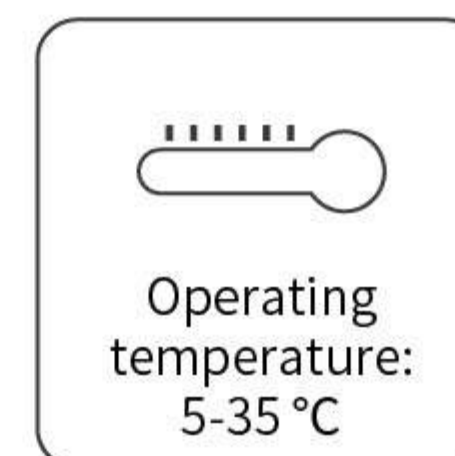
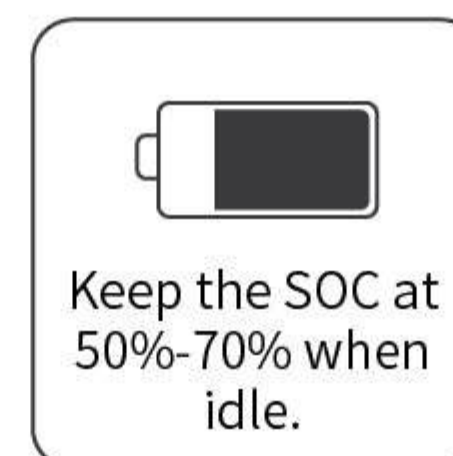
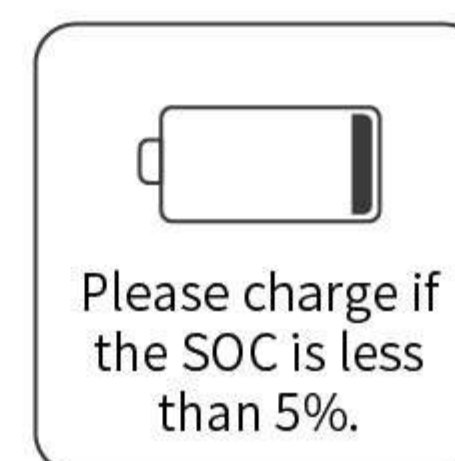
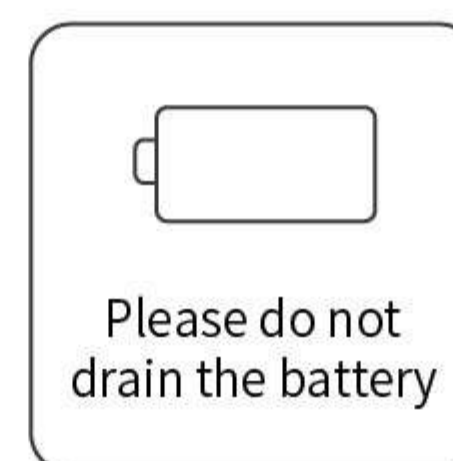


1. Please charge the Cleaner with the official standard power adapter of CHASING.
2. Dry the water on the charging port of the Cleaner before charging.
3. Align the charger with the anti-misconnection design of the charging port and insert it correctly.
4. If the power adapter indicator is in red, the charging is in progress; if in green, the charging is completed. After charging, unplug the adapter in time.
5. Reinstall the rubber plug after charging to prevent water from entering.
6. Before charging, please use a dust blower to remove any moisture and dust from inside the charging port.

## Precautions

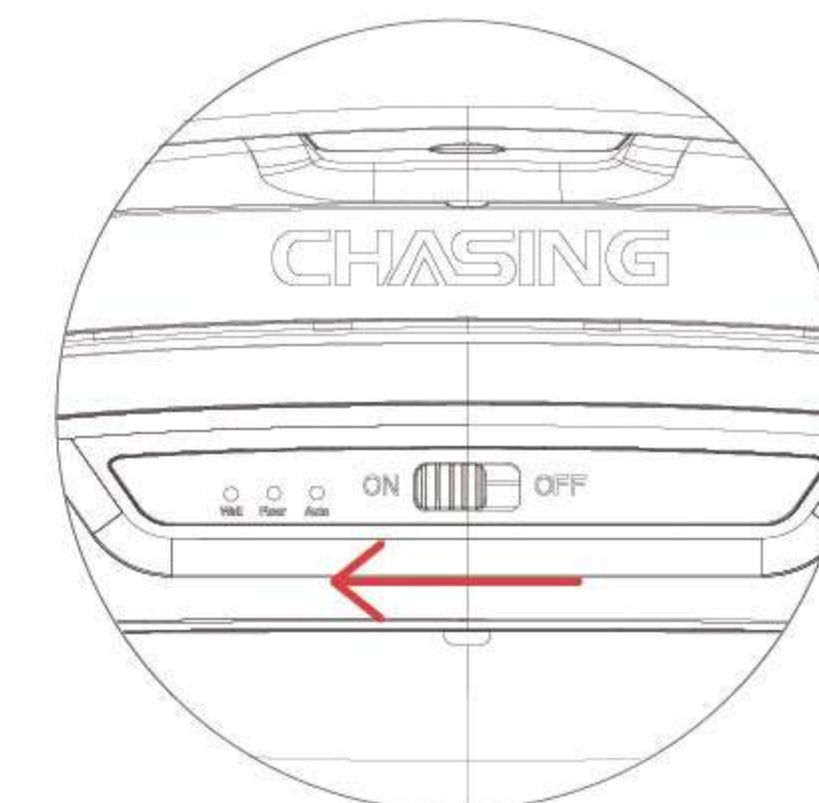
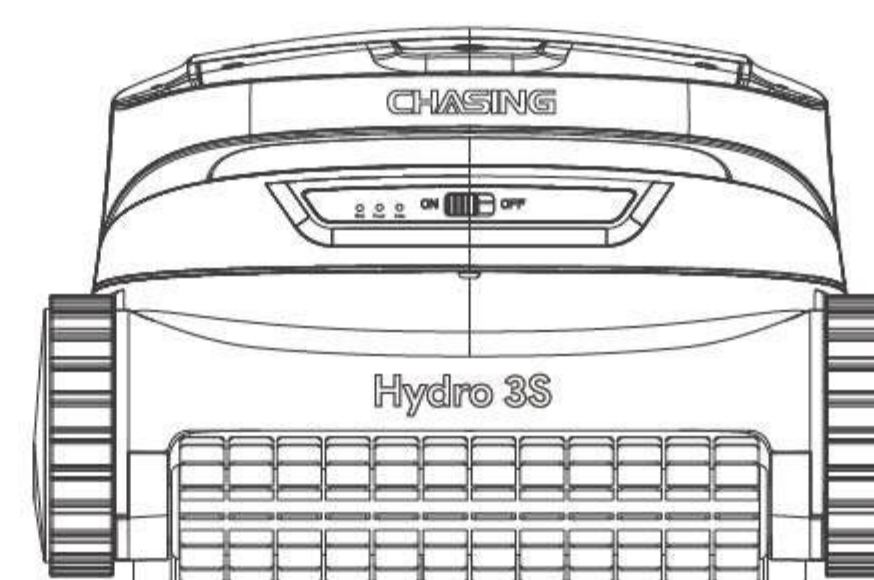
1. As the long-term storage will accelerate the self-discharge and passivation of active substances, it is recommended to fully charge and discharge the Cleaner every three months to reduce the negative impact of long-term storage, and then restore its original performance.
2. The lithium battery of this product is not replaceable, so it should be recycled by a qualified battery recycling station, rather than being discarded in the trash can.
3. Do not place the device vertically for charging to prevent water from entering the charging port.
4. Do not charge indoors.

### 5. Battery protection:



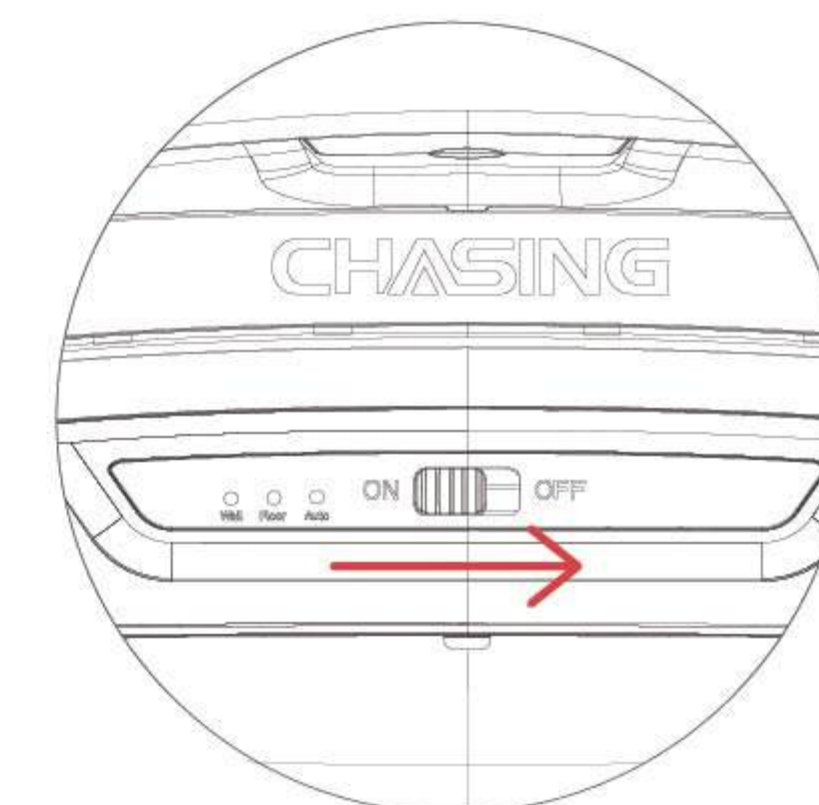
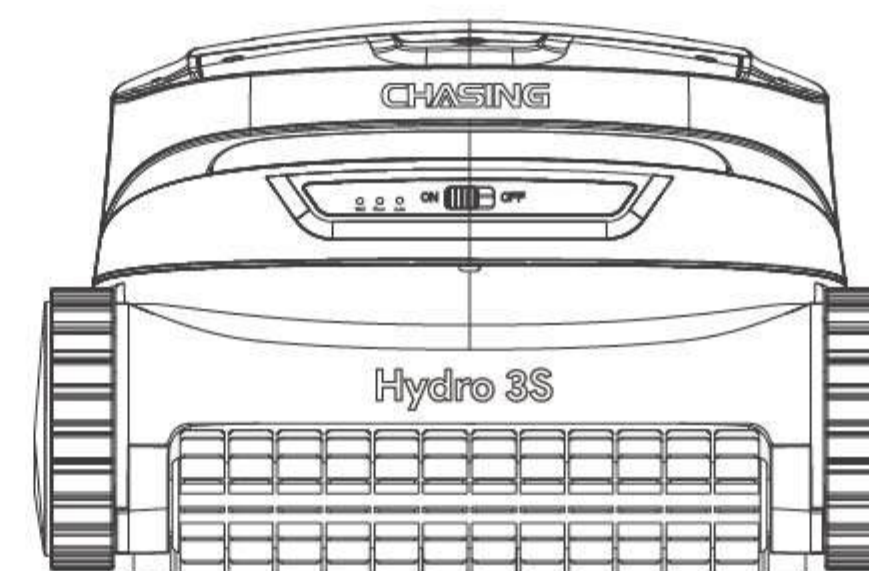
### ② Operation and Application

1. Power ON: Slide the switch button to the "ON" mark to turn on the Cleaner, and the indicator will be steady on.



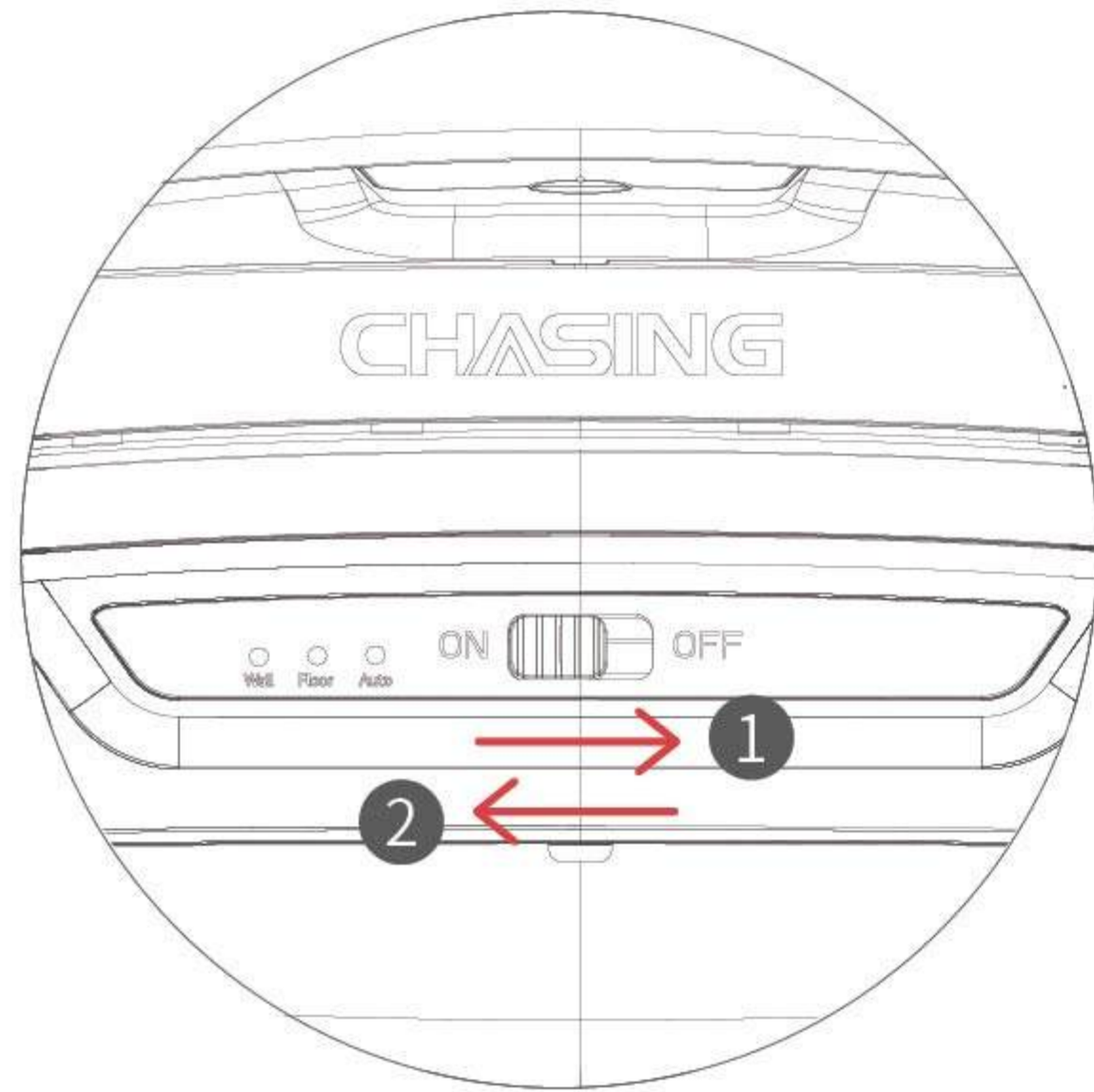
- ⚠ After powering on, if all three green lights remain on simultaneously, it indicates that the sensor calibration has failed. Please keep the machine stationary for 8 seconds until only one green light remains on.

2. Power OFF: Slide the switch button to the "OFF" mark to turn off the Cleaner, and the indicator will be off.



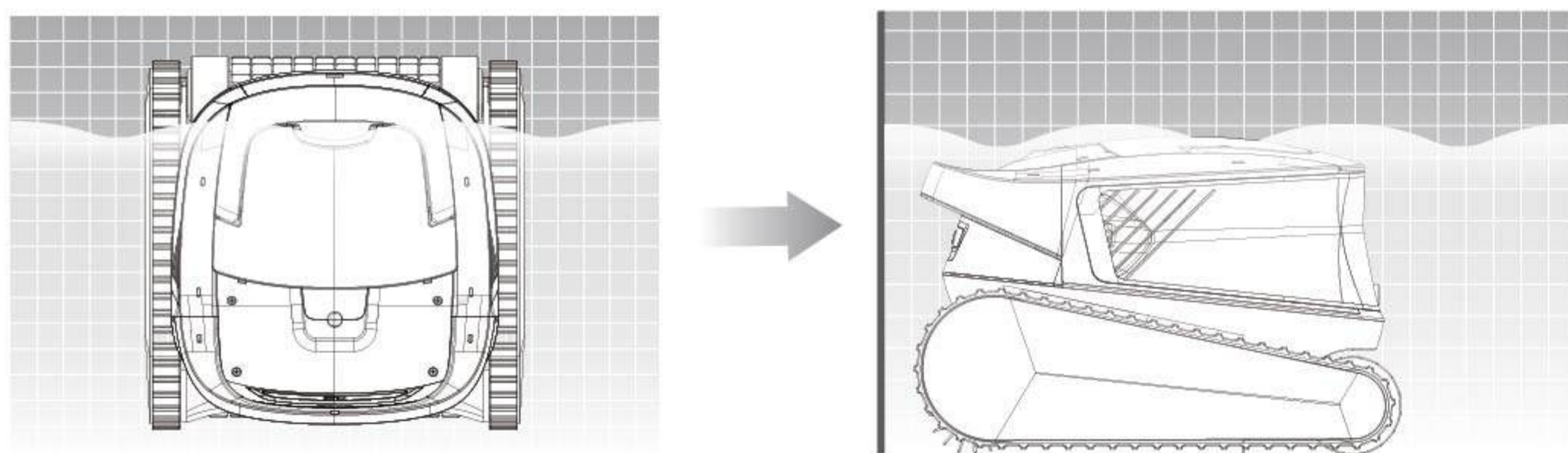
3. Mode switching: Switch from ON to OFF and then to ON (ON → OFF → ON) within 5 seconds.

EN



- ⚠ The Cleaner supports three modes: Auto, Floor and Wall.  
In Auto mode, the Cleaner can clean the floor, walls and lane lines and can thoroughly clean a standard pool.  
In Floor mode, the Cleaner mainly cleans the pool floor, improving the efficiency of floor cleaning.  
In Wall mode, the Cleaner can effectively clean the walls and lane lines, significantly reducing uncleaned area.
- ⚠ After the machine starts cleaning, it focuses on cleaning the pool walls for the first 50 minutes and then cleans the pool floor for the remaining time.

4. After power-on, put the Cleaner into the pool, and get it to start cleaning after reaching the pool floor. At the moment, the indicator is in breathing state.



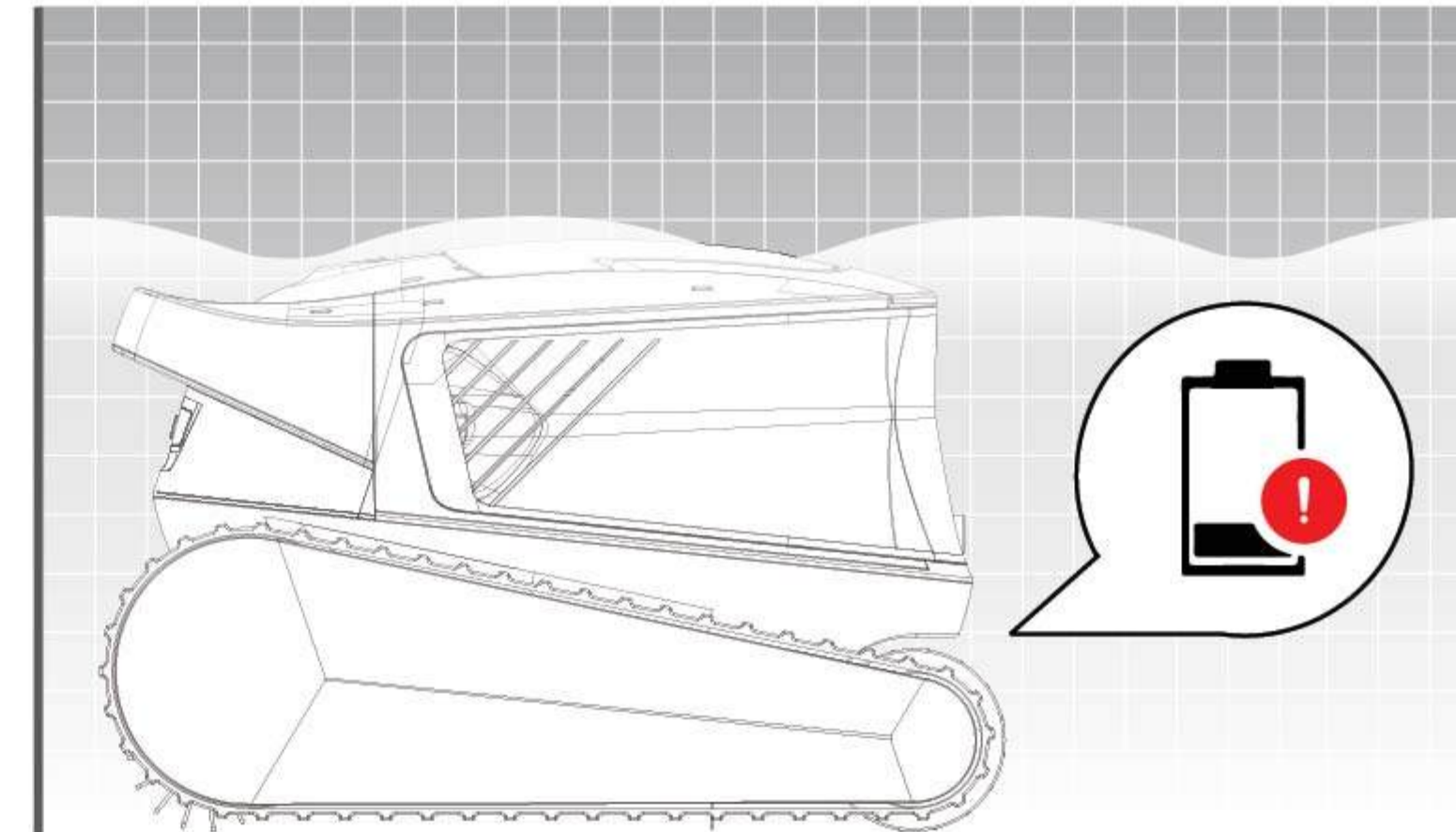
### 3 Indicator Definition

Working State	Light Status
Standby	Steady On (The color changes with battery level)
Cleaning	Breath (The color changes with battery level)
Abnormal Cleaner	Flash in Red
Check for Upgrades/Self Check	Blue breathing
Full filter basket alert	Yellow breathing light
SOC: ≥ 80%	Green
SOC: 20-79%	Blue
SOC: < 20%	Red
Shutdown	Off
Charging/not fully charged	The red light of the charger is steady on
Fully charged/not charged	The green light of the charger is steady on

### 4 After Cleaning

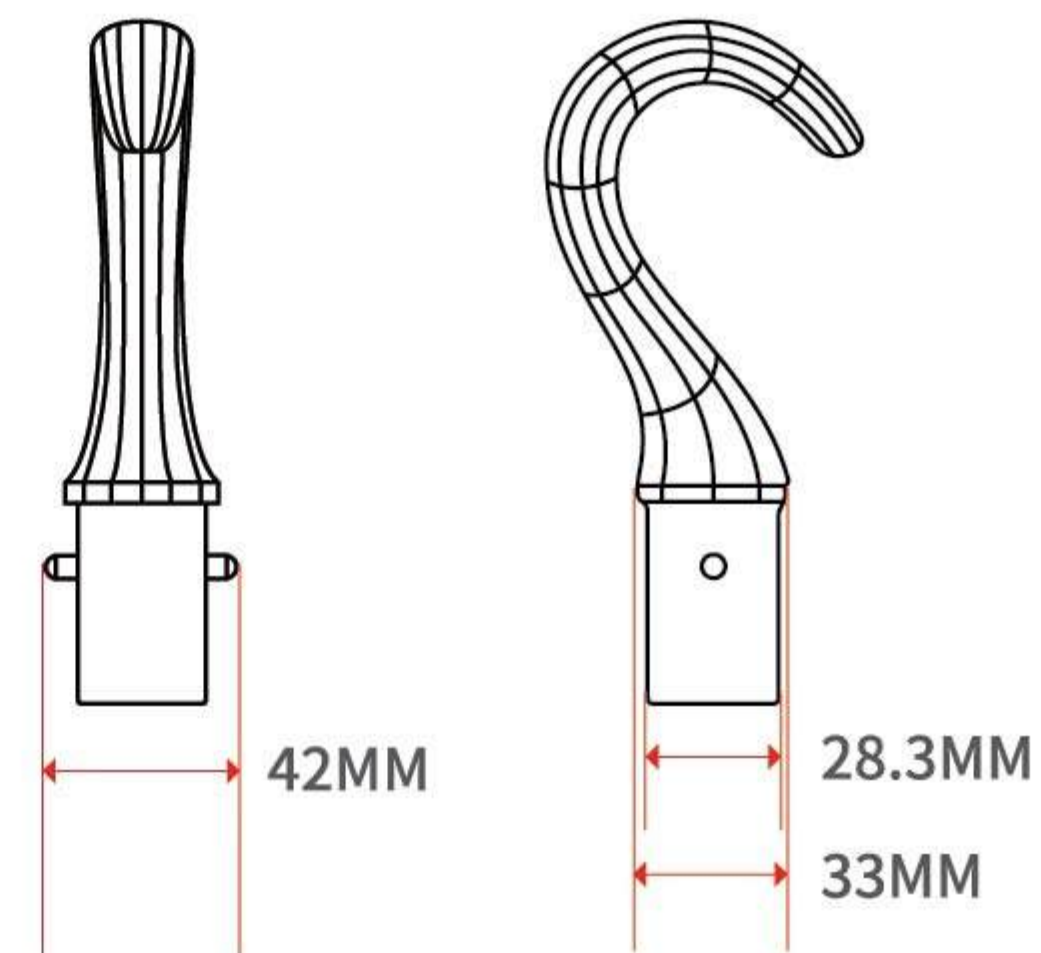
1. The Cleaner will move to the pool edge and stop cleaning automatically when the battery life is lower than 5%.

EN

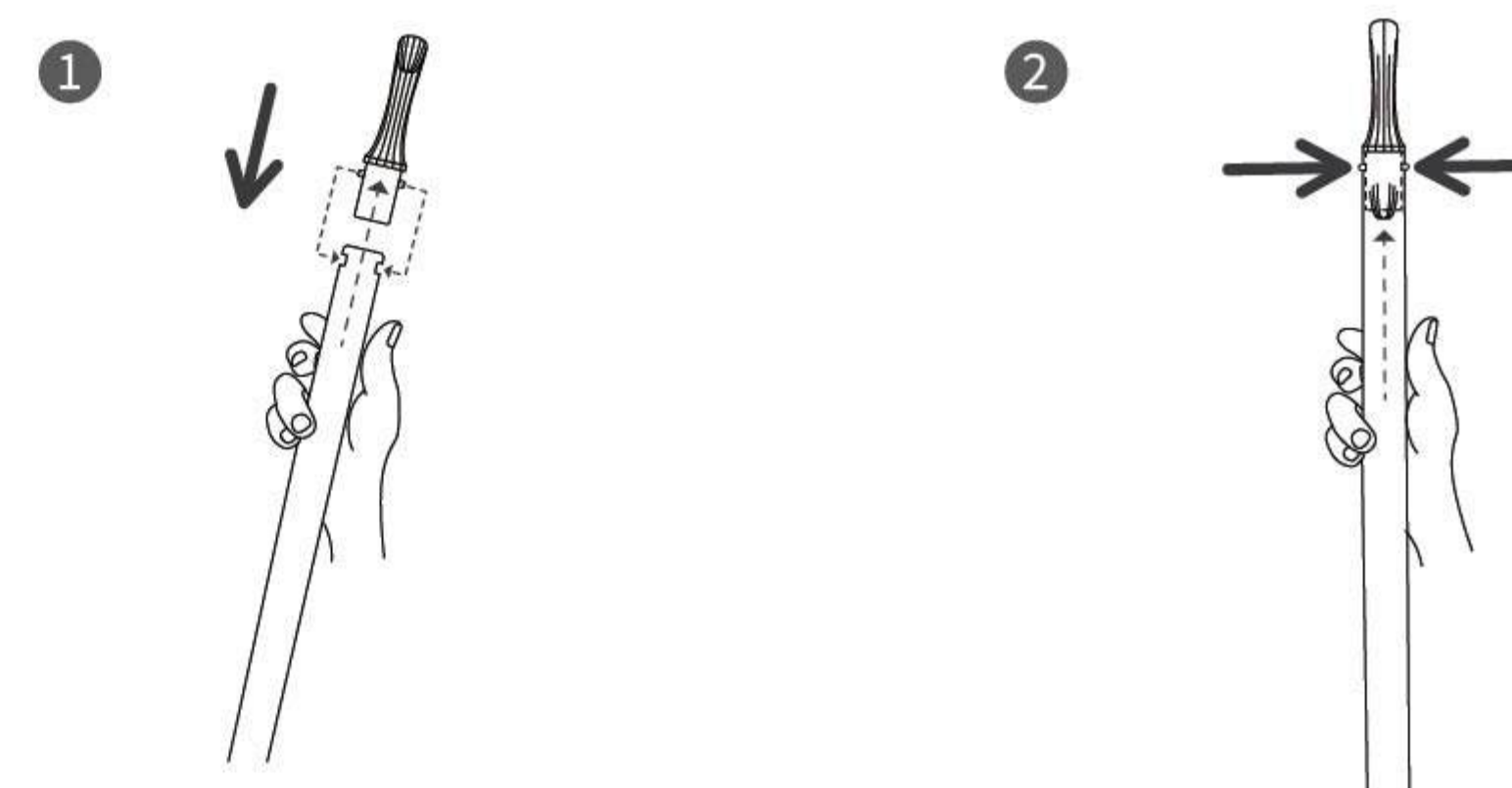


2. Please bring it out of the pool with the salvage hook.

2.1 The user can connect the salvage hook provided in the package to any standard pool cleaning rod to extend the reach of the salvage.

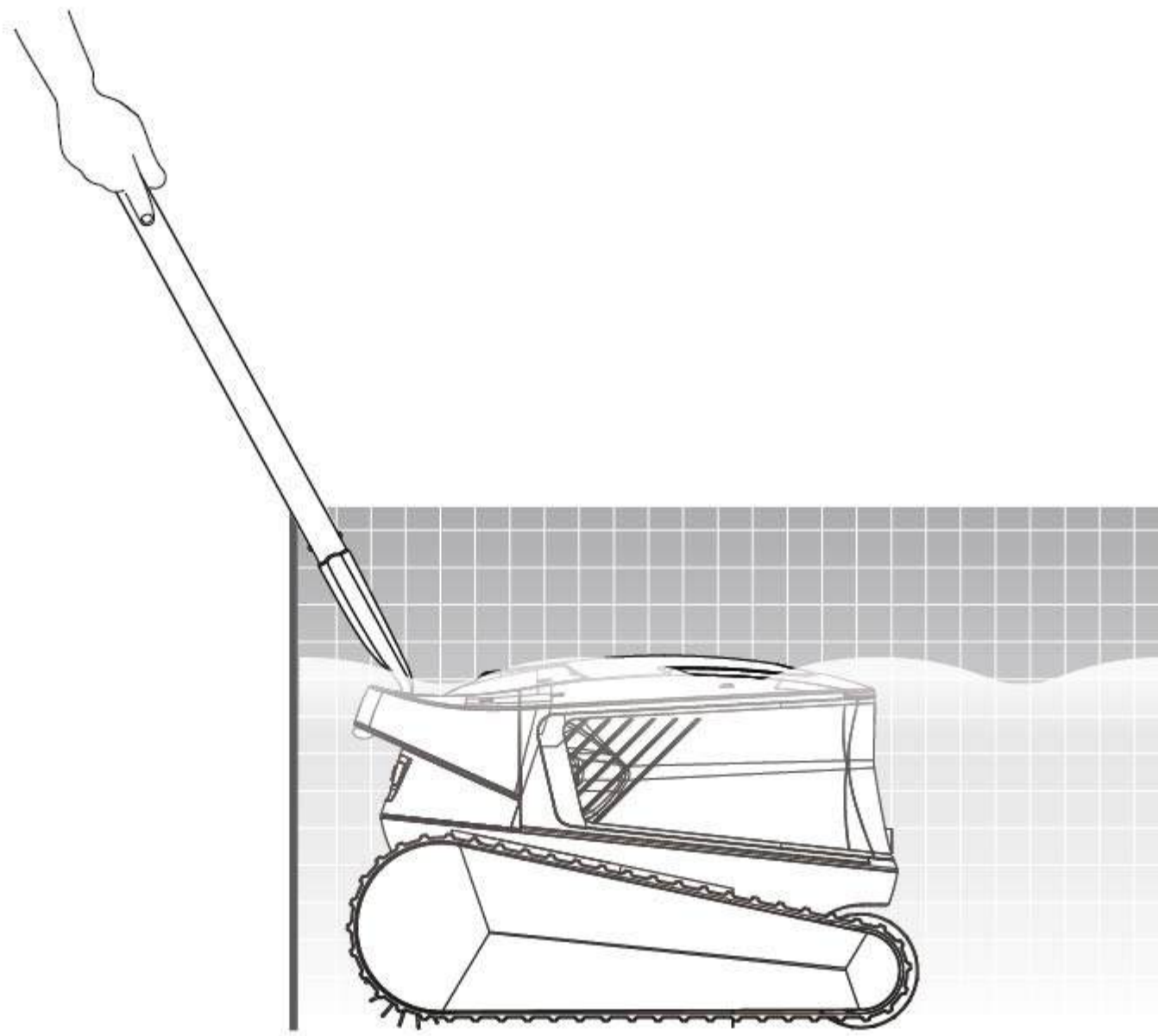


2.2 Schematic Diagram of Salvage Hook Connection to the Pool Cleaning Rod

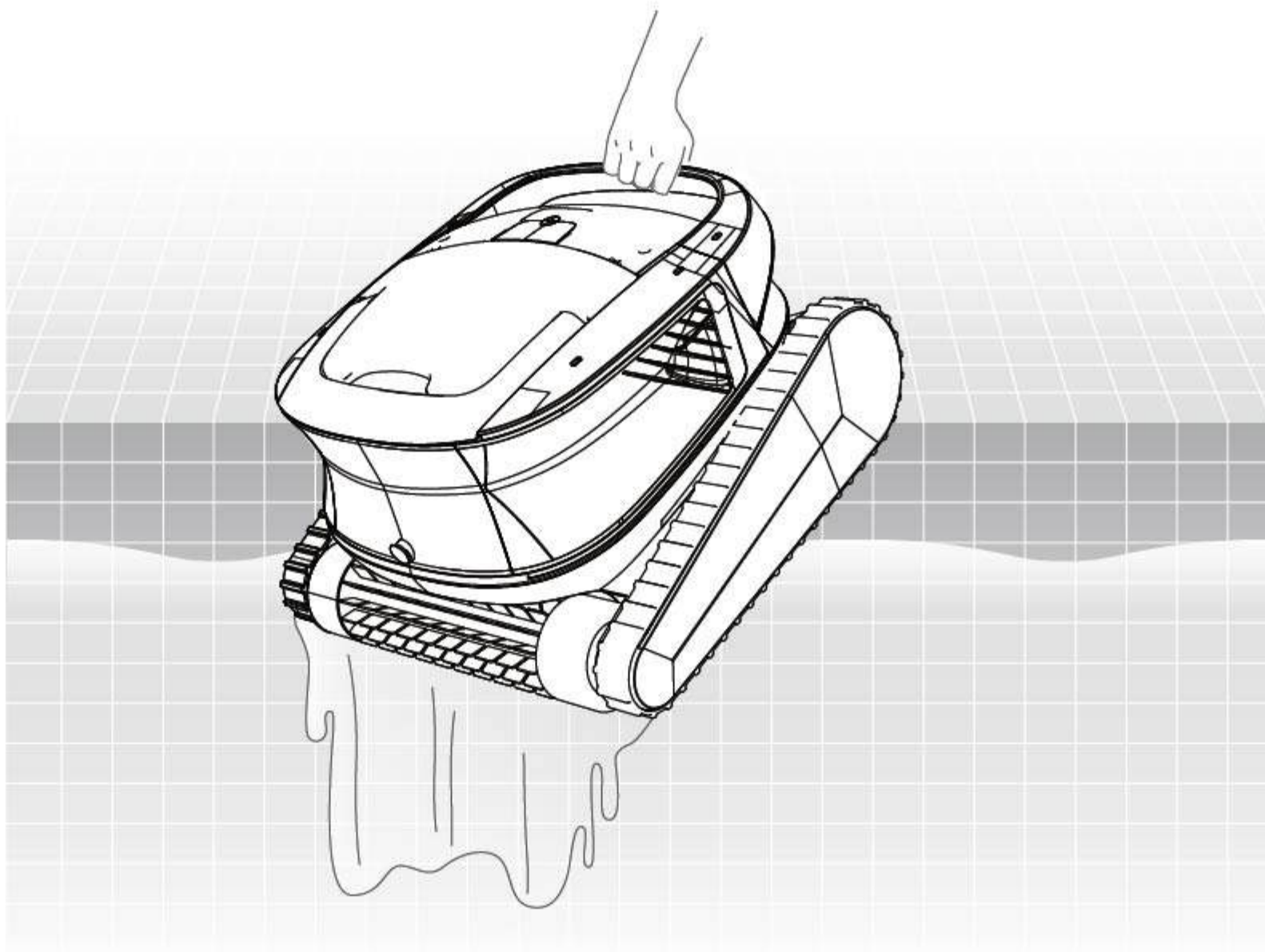


2.3 Hook the Cleaner's handle with the salvage hook to pull the Cleaner out of water.

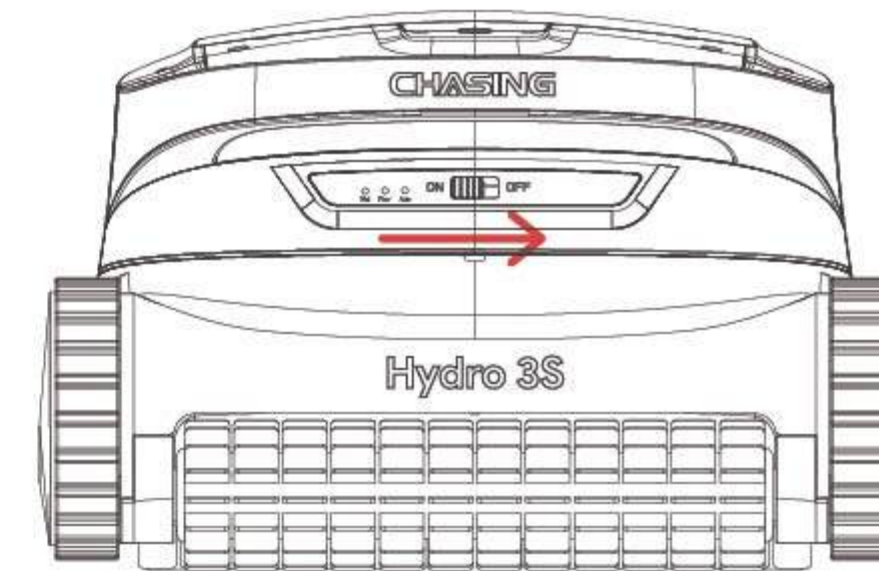
EN



3. Hold the Cleaner's handle and pull it out of water, and hang it on the water for 5-10 seconds to drain the water inside.



4. Slide the switch button to the "OFF" mark to turn off the Cleaner.



EN

## APP

### 1 Download of CHASING GO3 APP

CHASING GO3 APP: Support iOS 11.0 and above, and Android 7.0 and above. You can download the App by scanning the QR code, or by visiting the iOS App Store, Google Play, and CHASING'S website.

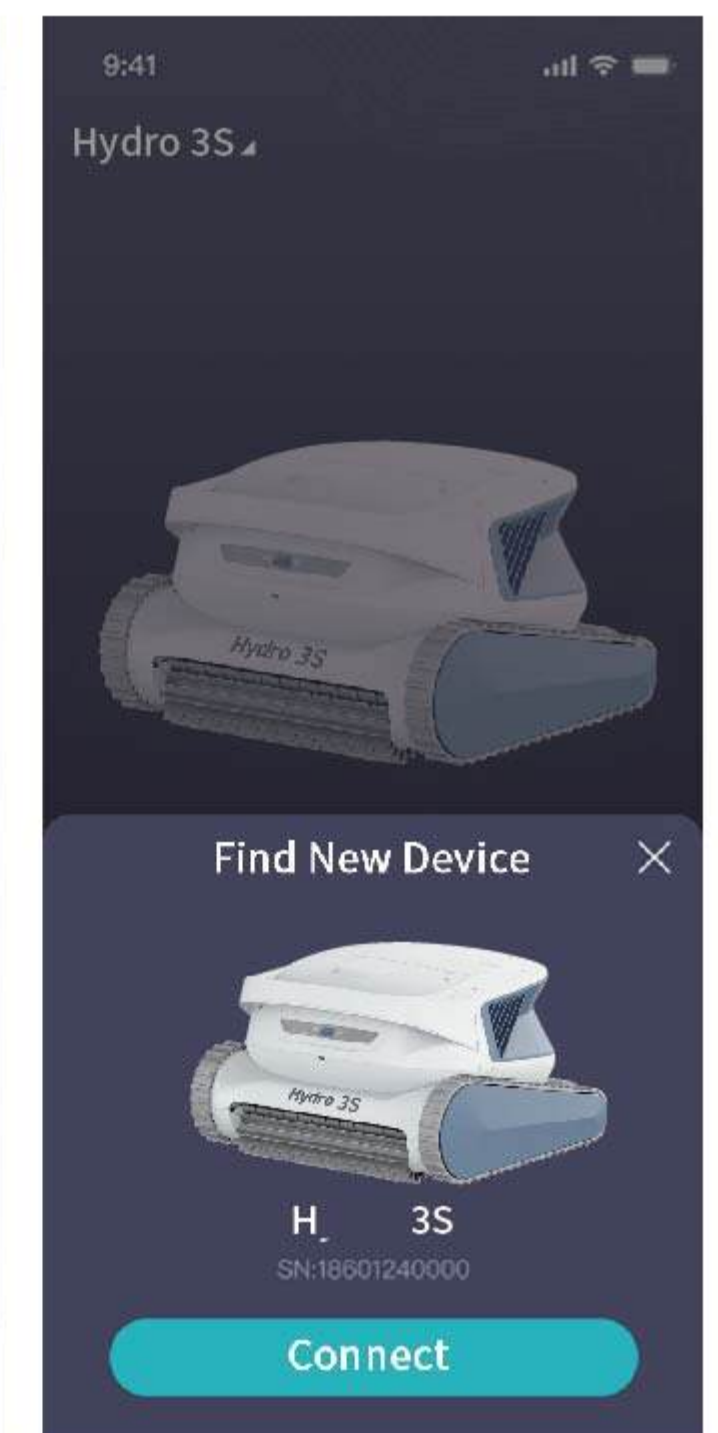


### 2 Bluetooth Connection

1. Select "CHASING Hydro 3S" on the "Device Selection" page.

2. Click "Get to Connect".

3. When finding a new device, click on it to connect, and then enter the "Home" page after successful connection.



! Hydro 3S model can only be used on ground and cannot access to communication connection under water.

### 3 Home

EN



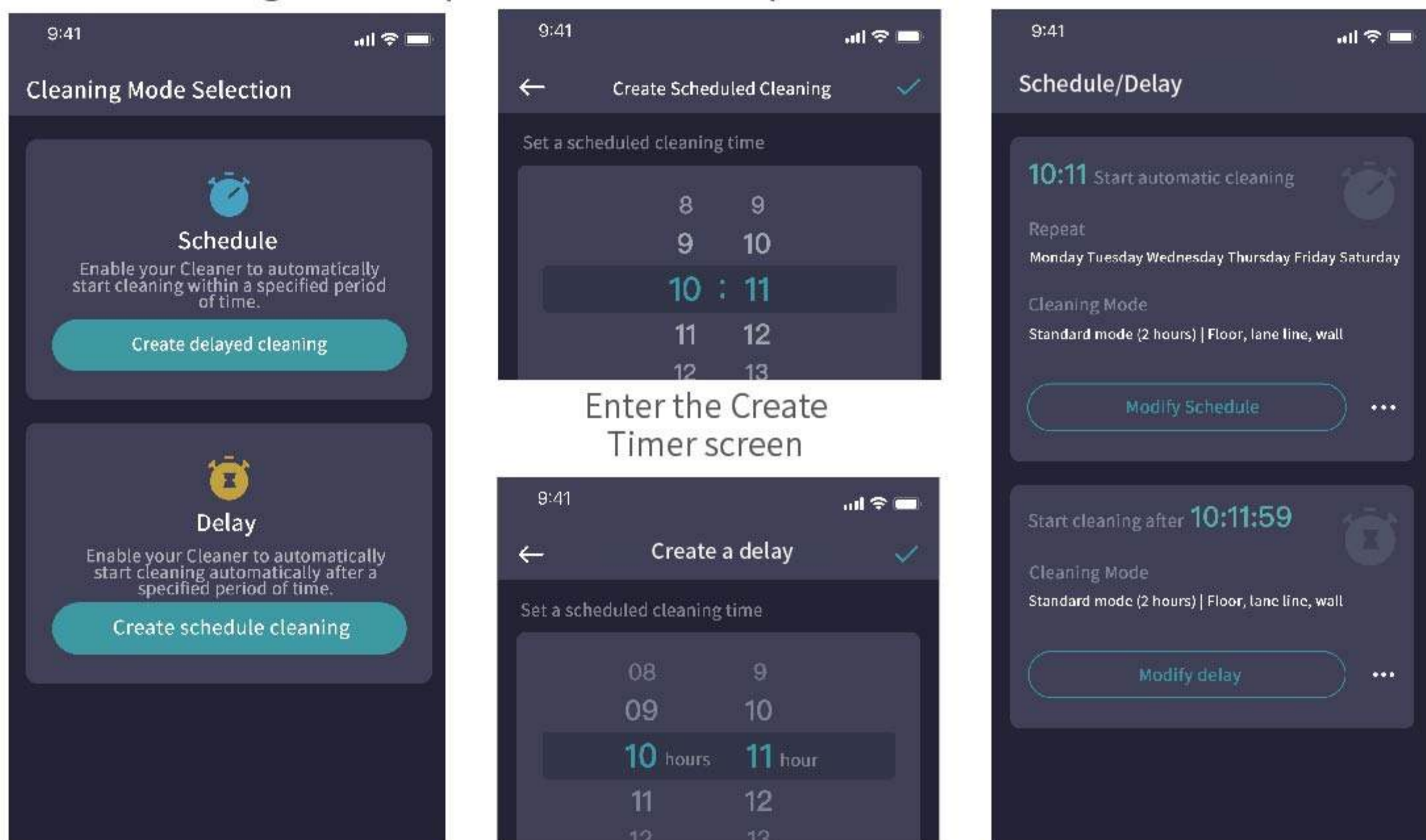
Home

ECO mode

⚠ ECO mode is only applicable to Auto/Floor mode and can extend cleaning time by 30% when enabled.

### 4 Preset

When the Cleaner is in standby state and placed in the pool, it is possible to create Preset Cleaning and complete unmanned operation.



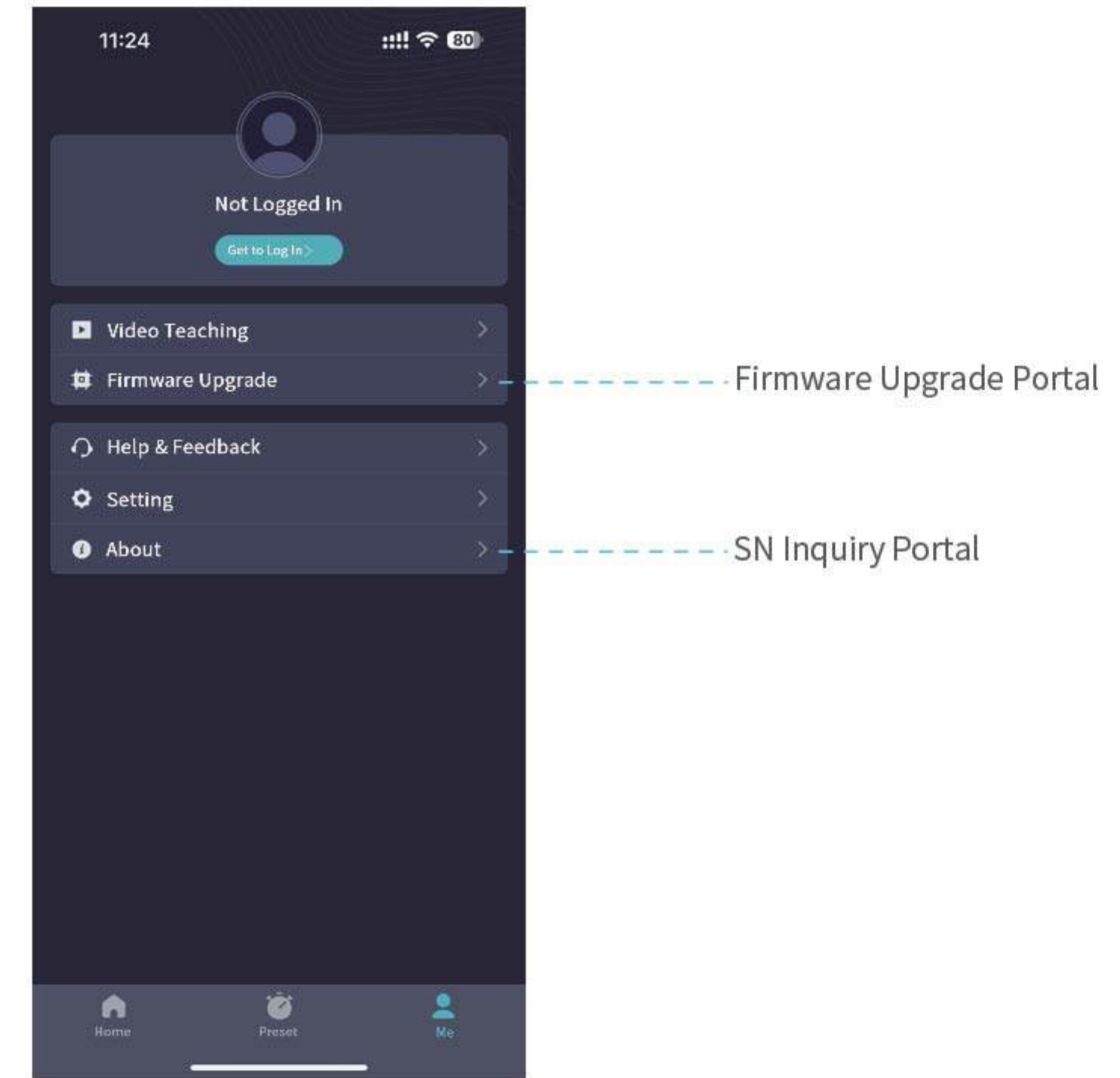
Create a preset cleaning plan

Enter the Create Delay screen to preset a schedule/delay.

Complete the preset cleaning plan

### 5 Me

EN

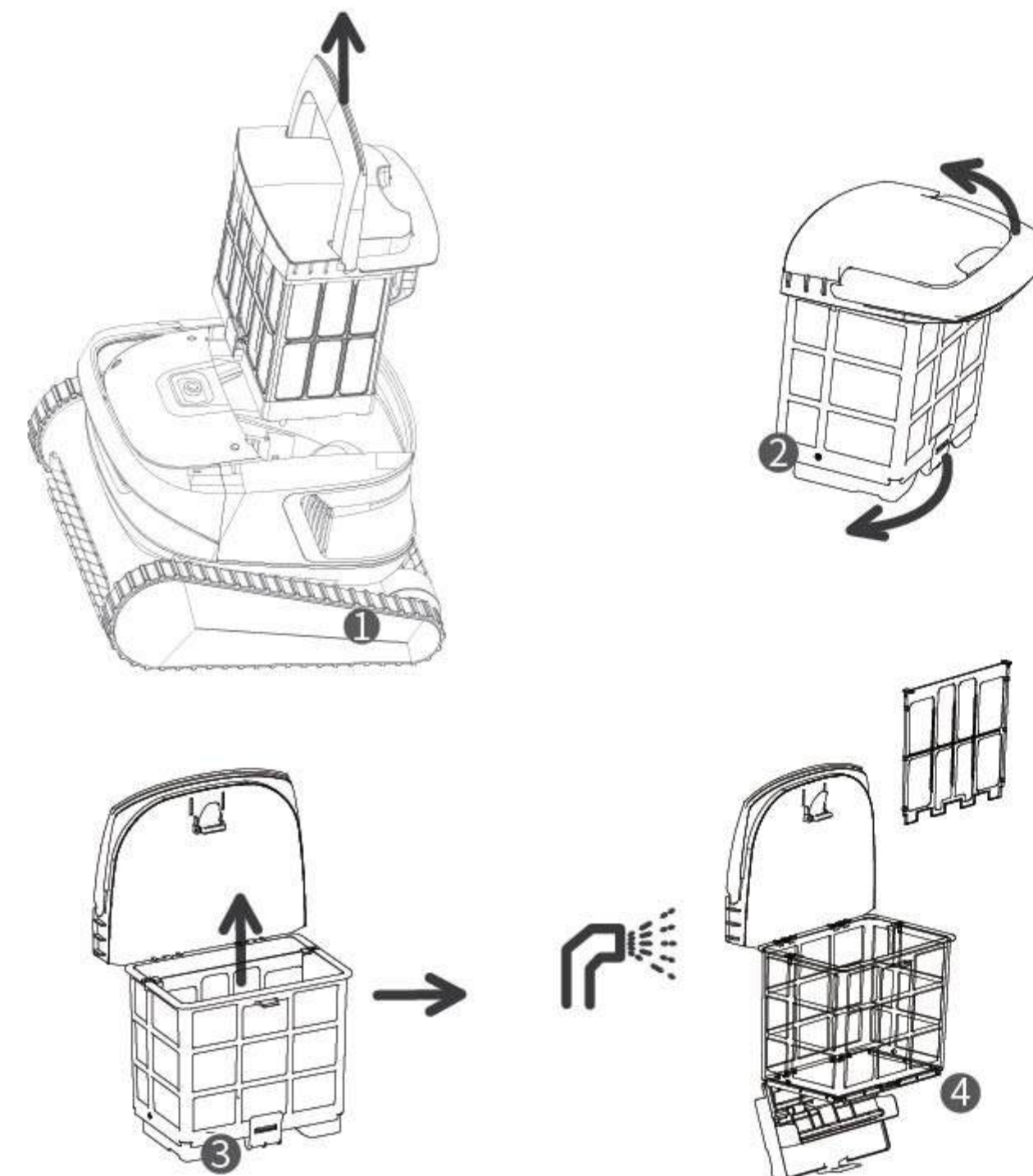


Firmware Upgrade Portal

SN Inquiry Portal

## Routine Maintenance

Clean the filter screen.



\* To ensure the cleaning performance of the Cleaner, it is recommended to replace the filter screen at least every three months during use.

If the Cleaner will not be used for a long time, please follow the following steps:

1. Clean the filter basket thoroughly and place it inside the Cleaner;
2. Make sure there is no water left in the Cleaner;
3. Charge the Cleaner and then turn off;
4. Store indoors in a cool and dry place at 5-45°C.

## Troubleshooting

Faults	Possible Causes	Troubleshooting
The Cleaner cannot be charged	The charger is in poor contact	Dry the charging contacts of the Cleaner and check for damage
The battery is not fully charged	The Cleaner is not turned off after charging, resulting in normal standby electricity loss.	Check whether the Cleaner is turned off after charging
The Cleaner is not started up	The Cleaner is not put in water	Put the Cleaner into water
	The track is stuck by foreign object	Check whether the track tire is stuck and remove foreign object
	The SOC of the battery is too low	Charge the Cleaner
The Cleaner moves but fails to clean the pool effectively	The filter basket is blocked	Clean the filter basket
	The impeller is blocked by foreign object	Check whether the impeller is blocked and remove foreign object
	The SOC of the battery is too low	Charge the Cleaner
The Cleaner cannot climb walls	The filter basket is blocked	Clean the filter basket
	The impeller is blocked by foreign object	Check whether the impeller is blocked and remove foreign object
	The temperature or pH value is inappropriate	Use the Cleaner in a pool with the required temperature and pH
	There is algae on walls	Check the chemical level in the water and scrub the walls
	The SOC of the battery is too low	Charge the Cleaner
The Cleaner only cleans a portion of the pool	The filter basket is blocked	Clean the filter basket
	There are obstacles in the pool	Remove obstacles

## Product Parameters

Cleaner dimensions	398 * 405 * 253 mm
Cleaner weight	7.5 kg
Battery Capacity	11000 mAh
Battery endurance	200 min (ECO mode →300 min)
Charger Input Voltage	100-240V
Input power	Max. 150W
Charging time	4 h
Operating depth	0.5-3 m
Optimum applicable area	150m <sup>2</sup>
Cleaning zone	Floor, wall, water line
Filtering flow	Up to 320L/min
Filtering accuracy	180 μm
Moving speed	11m/min
Filter basket volume	4.1L
Active brush	Support
APP	Support
Cloud Service	Not supported

## After-sales

In case of any questions or technical problems, please send email to CHASING after-sales personnel or contact E-chat personnel on the official website.

After-sales E-mail address:

support01@poolmatebot.com--Europe

support02@poolmatebot.com --Asia & Oceania

support03@poolmatebot.com-- North and South Americas & Africa

2. You can view the teaching videos in App menu, official website and official WeChat account to get better experience.

### CHASING

The Manual is subject to change without prior notice.

The latest version is also available from CHASING official website:  
<https://www.poolmatebot.com>.